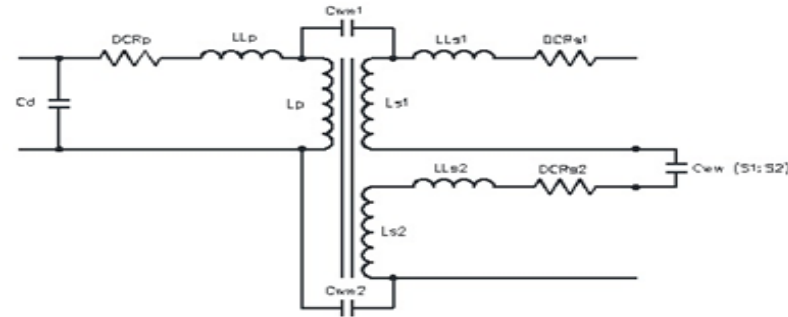
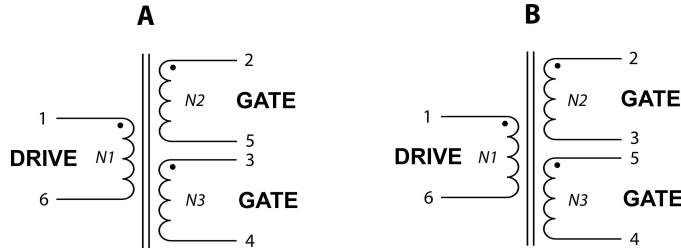


TEST CONDITIONS

EQUIPMENTS: 4194A, 4285A, 4284A, HOIKI 3541

Inductance: 100 kHz , 0.1 Vrms , series
Leakage Inductance: 100 kHz , 0.1 Vrms , series
Interwinding Capacitance: 100 kHz, 0.1 Vrms
DCR: Measured at 25°C
Cd: Measured by HP4194A equivalent A



Part Number	Lp (1-6)	Ls1 (2-5)	Ls2 (3-4)	DCRp (1-6)	DCRs1 (2-5)	DCRs2 (3-4)	Cd (1-6)	Cww1 (1,6)-(2,5)	Cww2 (1,6)-(3,4)	Cww(S1:S2) (2,5)-(3,4)	S.R.F (1-6)	LLp (1-6) Shorted (2,5,3,4)	LLs (2-5) Shorted (1,6,3,4)	LLs2 (3-4) Shorted (1,6,2,5)
	mH, Min.	mH, Min.	mH, Min.	Ω, Max.	Ω, Max.	Ω, Max.	pF, Typ.	pF, Typ.	pF, Typ.	pF, Typ.	MHz, Typ.	uH, Max.	uH, Max.	uH, Max.
GT04-111-063-A	0.37	0.37	0.37	0.03	0.03	0.03	3.53	10.05	8.99	9.78	4.30	0.17	0.13	0.14
GT04-111-126-A	1.45	1.45	1.45	0.06	0.06	0.06	4.06	24.30	25.16	32.28	2.10	0.27	0.21	0.22
GT04-111-189-A	3.39	3.39	3.39	0.17	0.15	0.15	15.52	39.28	37.96	66.79	0.66	0.39	0.32	0.35
GT04-111-252-A	5.07	5.07	5.07	0.42	0.41	0.41	13.38	36.37	36.54	55.78	0.58	0.45	0.43	0.44
GT04-111-315-A	9.90	9.90	9.89	0.81	0.77	0.78	14.69	39.36	39.50	64.30	0.41	0.74	0.60	0.63
GT04-111-378-A	11.86	11.86	11.86	2.35	2.25	2.32	13.15	39.51	39.34	51.22	0.39	0.79	0.84	0.81
GT04-122-063-A	0.06	0.36	0.36	0.02	0.03	0.03	19.70	4.29	4.32	10.21	4.50	0.12	0.15	0.17

Part Number	Lp (1-6)	Ls1 (2-5)	Ls2 (3-4)	DCRp (1-6)	DCRs1 (2-5)	DCRs2 (3-4)	Cd (1-6)	Cww1 (1,6)-(2,5)	Cww2 (1,6)-(3,4)	Cww(S1:S2) (2,5)-(3,4)	S.R.F (1-6)	LLp (1-6) Shorted (2,5,3,4)	LLs (2-5) Shorted (1,6,3,4)	LLs2 (3-4) Shorted (1,6,2,5)
	mH, Min.	mH, Min.	mH, Min.	Ω , Max.	Ω , Max.	Ω , Max.	pF, Typ.	pF, Typ.	pF, Typ.	pF, Typ.	MHz, Typ.	μ H, Max.	μ H, Max.	μ H, Max.
GT04-122-126-A	0.25	1.54	1.54	0.03	0.05	0.05	38.93	9.62	9.38	29.25	1.70	0.12	0.27	0.27
GT04-122-189-A	0.50	3.09	3.09	0.07	0.14	0.15	31.07	12.94	12.91	74.68	1.20	0.25	0.28	0.28
GT04-122-252-A	0.87	5.44	5.44	0.18	0.39	0.41	82.28	17.76	17.54	72.66	0.57	0.37	0.53	0.52
GT04-122-315-A	1.61	10.04	10.03	0.34	0.74	0.67	137.70	21.48	21.60	107.32	0.34	0.28	0.63	0.62
GT04-122-378-A	2.14	13.28	13.28	0.93	2.22	2.24	62.51	15.85	15.82	59.66	0.42	0.35	0.78	0.84

ECONOMICAL CLASS B (130°C) VERSIONS

Part Number	Lp (1-6)	Ls1 (2-5)	Ls2 (3-4)	DCRp (1-6)	DCRs1 (2-5)	DCRs2 (3-4)	Cd (1-6)	Cww1 (1,6)-(2,5)	Cww2 (1,6)-(3,4)	Cww(S1:S2) (2,5)-(3,4)	S.R.F (1-6)	LLp (1-6) Shorted (2,5,3,4)	LLs (2-5) Shorted (1,6,3,4)	LLs2 (3-4) Shorted (1,6,2,5)
	mH, Min.	mH, Min.	mH, Min.	Ω , Max.	Ω , Max.	Ω , Max.	pF, Typ.	pF, Typ.	pF, Typ.	pF, Typ.	MHz, Typ.	μ H, Max.	μ H, Max.	μ H, Max.
GT04-111-063-AE	0.34	0.34	0.34	0.05	0.03	0.03	5.04	7.95	8.46	13.57	3.40	0.18	0.13	0.12
GT04-111-126-AE	1.33	1.33	1.33	0.10	0.06	0.06	4.08	24.16	24.13	32.62	2.30	0.26	0.20	0.19
GT04-111-189-AE	2.92	2.92	2.92	0.15	0.15	0.15	15.72	44.74	44.20	69.02	0.69	0.33	0.32	0.32
GT04-111-252-AE	5.14	5.13	5.13	0.64	0.39	0.39	12.97	35.46	33.85	43.68	0.58	0.55	0.44	0.49
GT04-111-315-AE	10.19	10.16	10.16	0.80	0.77	0.76	19.67	56.95	55.86	82.70	0.35	0.63	0.49	0.54
GT04-111-378-AE	14.97	14.97	14.97	1.00	2.34	2.34	14.35	45.12	45.24	48.51	0.34	0.80	0.90	0.87
GT04-122-063-AE	0.06	0.35	0.35	0.03	0.03	0.03	25.86	3.13	3.12	9.86	3.60	0.13	0.14	0.15
GT04-122-126-AE	0.23	1.40	1.40	0.05	0.05	0.06	42.93	9.30	9.07	31.51	1.60	0.16	0.21	0.22
GT04-122-189-AE	0.56	3.46	3.46	0.06	0.14	0.14	35.17	16.73	16.64	79.26	1.10	0.28	0.33	0.31
GT04-122-252-AE	0.81	5.04	5.04	0.29	0.40	0.41	28.03	12.89	13.30	52.49	0.99	0.32	0.51	0.44
GT04-122-315-AE	1.51	9.41	9.41	0.34	0.73	0.75	39.27	21.14	21.45	102.44	0.61	0.28	0.47	0.47
GT04-122-378-AE	2.20	13.66	13.66	0.41	2.21	2.24	24.20	17.94	17.80	55.93	0.66	0.59	1.16	1.20