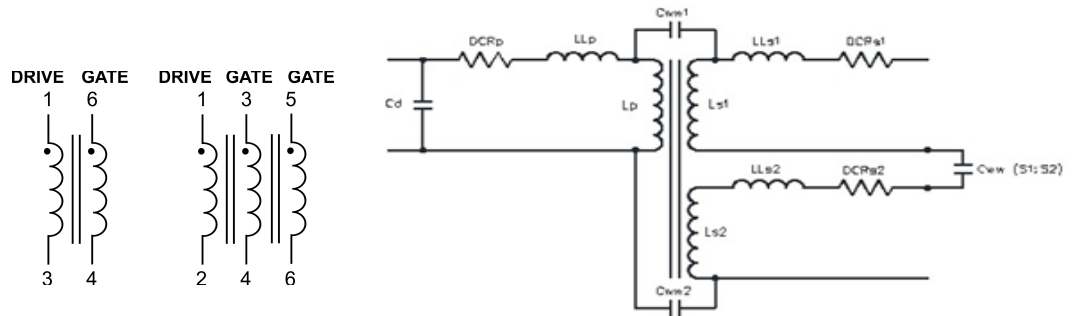


TEST CONDITIONS

Inductance: 100 kHz, 0.1 Vrms, series
Leakage Inductance: 100 kHz, 0.1 Vrms, series
Interwinding Capacitance: 100 kHz, 0.1 Vrms
DCR: Measured at 25 °C
Cd: Measured by HP4194A equivalent A

EQUIPMENTS: 4194A, 4285A, 4284A, HOIKI 3541



Part Number	Lp (1-3)	Ls (6-4)		DCRp (1-3)	DCRs (6-4)		Cd (1-3)	Cww (1,3)-(6,4)			S.R.F (1-3)	LLp (1-3) Shorted (6-4)	LLs (6-4) Shorted (1-3)	
	mH, Min.	mH, Min.		Ω, Max.	Ω, Max.		pF, Typ.	pF, Typ.			MHz, Typ.	uH, Max.	uH, Max.	
GT02-110-006	0.19	0.19		0.19	0.19		0.69	3.82			13.30	0.07	0.07	
GT02-110-010	0.35	0.35		0.28	0.28		0.52	9.57			12.20	0.10	0.11	
GT02-110-019	1.22	1.23		0.58	0.44		5.23	17.17			2.09	0.31	0.31	
GT02-120-006	0.03	0.16		0.08	0.18		2.75	1.84			16.20	0.04	0.25	
GT02-120-014	0.11	0.65		0.14	0.32		6.04	4.85			7.08	0.05	0.30	

Part Number	Lp (1-2)	Ls1 (3-4)	Ls2 (5-6)	DCRp (1-2)	DCRs1 (3-4)	DCRs2 (5-6)	Cd (1-2)	Cww1 (1,2)-(3,4)	Cww2 (1,2)-(5,6)	Cww(S1:S2) (3,4)-(5,6)	S.R.F (1-2)	LLp (1-2) Shorted (3,4,5,6)	LLs1 (3-4) Shorted (1,2,5,6)	LLs2 (5-6) Shorted (1,2,3,4)
	mH, Min.	mH, Min.	mH, Min.	Ω, Max.	Ω, Max.	Ω, Max.	pF, Typ.	pF, Typ.	pF, Typ.	pF, Typ.	MHz, Typ.	uH, Max.	uH, Max.	uH, Max.
GT02-111-006	0.15	0.15	0.15	0.19	0.19	0.20	1.08	6.90	6.83	7.06	11.60	0.06	0.06	0.05
GT02-122-006	0.03	0.16	0.16	0.11	0.20	0.19	5.76	3.15	3.12	6.51	13.80	0.03	0.07	0.05
GT02-122-008	0.06	0.23	0.23	0.13	0.23	0.23	4.86	5.03	5.13	9.49	10.40	0.04	0.08	0.07