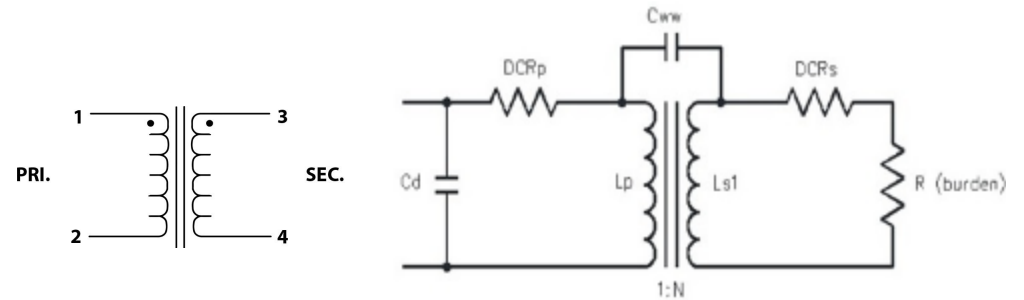


TEST CONDITIONS

- Inductance:** 10 kHz, 0.1 Vrms, series
- Leakage Inductance:** 10 kHz, 0.1 Vrms, series
- Interwinding Capacitance:** 10 kHz, 1 Vrms
- DCR:** Measured at 25°C
- Cd:** Measured by HP4194A equivalent A on secondary



EQUIPMENTS: 4194A, 4285A, 4284A, HOIKI 3541

Part Number	Lp (1-2)	Ls (3-4)	DCR (1-2)	DCR (3-4)	Cd	Cww1 (3-4) - (1-2)	SRF (3-4)	LLs (3-4) Shorted (1-2)	Turn Ratio
	<i>uH Typ</i>	<i>mH Typ</i>	<i>mΩ Typ</i>	<i>Ω Typ</i>	<i>pF Typ</i>	<i>pF Typ</i>	<i>kHz Typ</i>	<i>mH Typ</i>	<i>3-4 : 1-2</i>
CT10-100	1.60	17.36	0.12	0.81	4.31	48.56	534.00	0.19	100
CT10-200	1.53	68.13	0.12	2.91	31.20	48.40	95.67	0.71	200
CT10-300	1.50	148.90	0.13	7.07	16.26	48,53	97.00	1.58	300
CT10-400	1.53	271.50	0.13	19.10	11.33	48.40	92.67	3.04	400