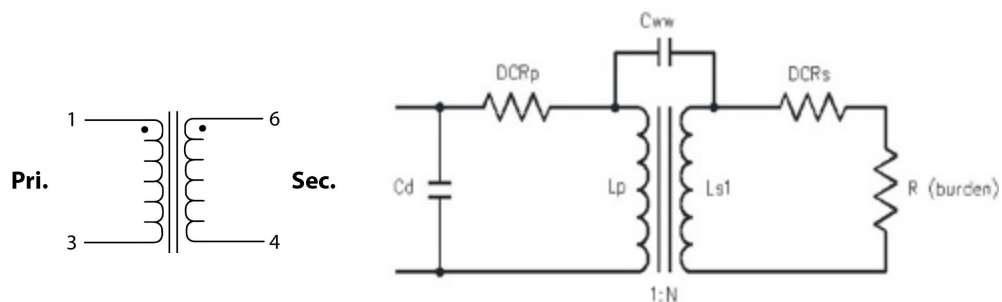


TEST CONDITIONS

- Inductance**: 10 kHz, 0.1 Vrms, series
- Leakage Inductance**: 100 kHz, 0.1 Vrms, series
- Interwinding Capacitance**: 100 kHz, 0.1 Vrms
- DCR**: Measured at 25°C
- Cd**: Measured by HP4194A equivalent A on secondary



EQUIPMENTS: 4194A, 4285A, 4284A, HOIKI 3541

Part Number	Lp (1-3)	Ls (6-4)	DCR (1-3)	DCR (6-4)	Cd	Cww1 (6-4) - (1-3)	SRF (6-4)	LLs (6-4) Shorted (1-3)	Turn Ratio
	<i>uH Typ</i>	<i>mH Typ</i>	<i>mΩ Typ</i>	<i>mΩ Typ</i>	<i>pF Typ</i>	<i>pF Typ</i>	<i>MHz Typ</i>	<i>uH Typ</i>	<i>6-4 : 1-3</i>
CT09-020	0.67	0.27	4.34	93.7	2.59	1.3	9.02	10.5	20
CT09-040	0.62	1.05	4.31	311.5	1.37	1.5	5.30	40.1	40
CT09-060	0.68	2.60	4.31	951.9	3.81	1.4	1.53	94.8	60
CT09-080	0.66	4.45	4.30	1249.0	4.35	1.6	1.10	168.0	80