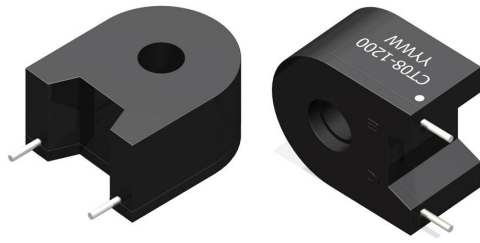


CT08-1200

Tombstone THT Current Sense Transformers



- Height: 20.4mm (Max)
- Footprint: 17.1mm (Max) x 11.2mm (Max)
- Current Rating: Up to 50A_{RMS}
- High Current Density
- PCB Mount

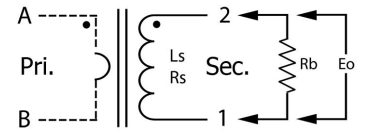
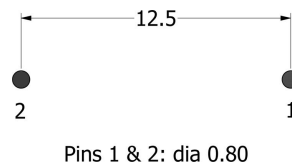
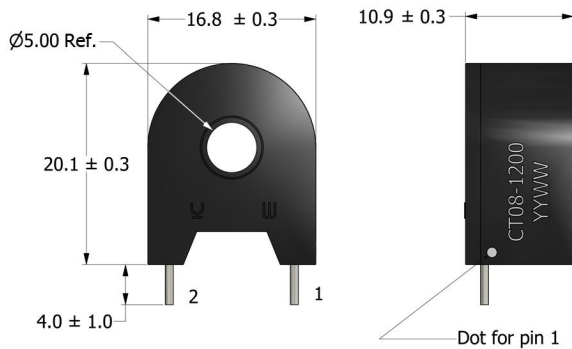
APPLICATIONS

Switching Power Supplies
Motor Controls

PACKAGING

Pieces/Tray: 66
Trays/Box: 10
Pieces/Box: 660

Mechanical Drawing Footprint Schematic



All dimensions are in mm

Electrical Specifications @ 25°C - Operating Temperature Range¹: -40°C to +105°C

Part Number	Turns Ratio (TR)	Secondary Inductance (H, Min)	Secondary DCR (Ω, Max)	Current Rating ² (A _{RMS} , Ref)	SRF ³ (2-1) (kHz, Typ)	ET Product ⁷ (V-μs, Max)	Hi-Pot (V _{AC})
CT08-1200	1:1200	10	40	50	4.7	3000	3750

- Operating Temp. Range:** The combination of ambient temperature and temperature rise.
- Current Rating:** The primary current rating is for reference only and is limited by the current capacity of the customer-supplied primary conductor.
- Self-Resonant Frequency:** The value is for reference only.
- Flammability Standard:** Meets UL 94V-0.
- Material Rating:** Meets requirements for UL Class A temperature rating. Ambient + Temp. Rise + HotSpot Allowance < 105°C.
- Terminating Resistor (R_B):** To calculate the value use the formula, $R_B = E_O / I_P$
- ET Product:** Rated at 100°C. Suitable for bipolar applications only.

I _P	Terminating Resistor, R _B	E _O
10	80	0.667
20	40	0.667
50	16	0.667

$$ET = E_O / 2f$$

$$E_O = I_P R_B / TR$$

where as,

E_O = Output voltage (V)

R_B = Term. Resistor (Ω)

I_P = Primary Current

TR = Turns Ratio

f = Frequency (Hz)

Specifications subject to change without prior notice.

