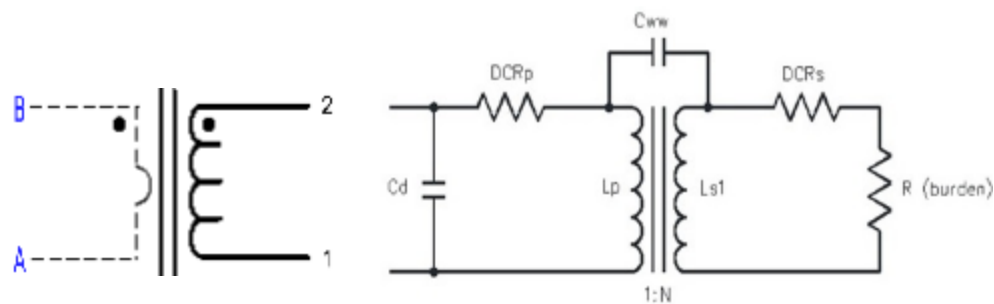


TEST CONDITIONS

- Inductance:** 1 kHz , 1 Vrms , series
- Leakage Inductance:** 1 kHz , 1 Vrms , series
- Interwinding Capacitance:** ---
- DCR:** Measured at 25°C
- Cd:** Measured by HP4194A equivalent A on secondary



EQUIPMENTS: 4194A, 4285A, 4284A, HOIKI 3541

Part Number	Lp (1 Turn)	Ls (S-F)	DCR	DCR (S-F)	Cd	Cww1	SRF (S-F)	LLs (S-F) Shorted (1 Turn)	Turn Ratio
	<i>mH Typ</i>	<i>H Typ</i>	<i>mΩ Typ</i>	<i>Ω Typ</i>	<i>pF Typ</i>	<i>pF Typ</i>	<i>kHz Typ</i>	<i>mH Typ</i>	<i>1T:S-F</i>
CT08-1200	13	19.00	N/A	31.54	63.20	N/A	4.67	786.00	1200