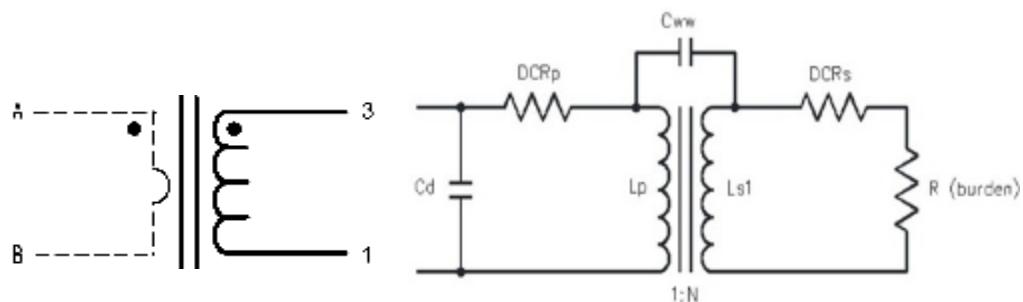


TEST CONDITIONS

- Inductance:** 1 kHz, 1 Vrms, series
- Leakage Inductance:** 1 kHz, 1 Vrms, series
- Interwinding Capacitance:** ---
- DCR:** Measured at 25°C
- Cd:** Measured by HP4194A equivalent A on secondary



EQUIPMENTS: 4194A, 4285A, 4284A, HOIKI 3541

Part Number	Lp (1 Turn)	Ls (S-F)	DCR	DCR (S-F)	Cd	Cww1	SRF (S-F)	LLs (S-F) Shorted (1 Turn)	Turn Ratio
	<i>mH Typ</i>	<i>H Typ</i>	<i>n/a</i>	Ω Typ	<i>pF Typ</i>	<i>n/a</i>	<i>kHz Typ</i>	<i>mH Typ</i>	<i>1T:S-F</i>
CT07-1000	17	17.32	N/A	19.88	141.38	N/A	3.17	363.00	1000