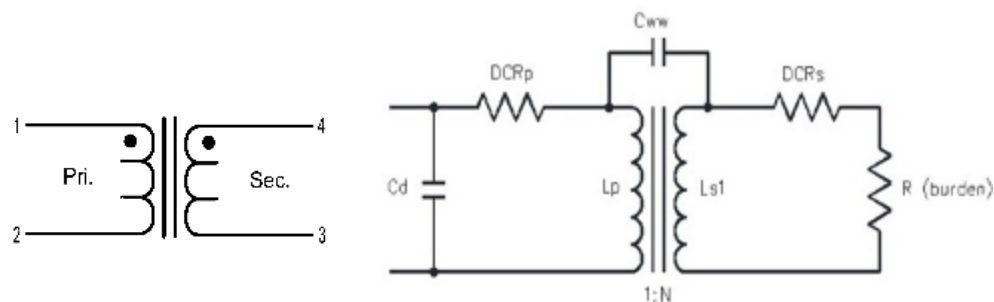


TEST CONDITIONS

- Inductance:** 10 kHz, 0.1 Vrms, series
- Leakage Inductance:** 100 kHz, 0.1 Vrms, series
- Interwinding Capacitance:** 100 kHz, 1 Vrms
- DCR:** Measured at 25°C
- Cd:** Measured by HP4194A equivalent A on secondary



EQUIPMENTS: 4194A, 4285A, 4284A, HOIKI 3541

Part Number	Lp (1-2)	Ls (4-3)	DCR (1-2)	DCR (4-3)	Cd	Cww1 (4,3)-(1,2)	SRF (4-3)	LLs (4-3) Shorted (1-2)	Turn Ratio
	<i>nH Typ</i>	<i>mH Typ</i>	<i>mΩ Typ</i>	<i>Ω Typ</i>	<i>pF Typ</i>	<i>pF Typ</i>	<i>MHz Typ</i>	<i>mH Typ</i>	<i>4-3:1-2</i>
CT06-050	246	0.62	0.95	1.09	2.40	0.9	4.12	0.03	50
CT06-100	207	2.07	0.97	4.36	4.07	0.9	1.65	0.13	100
CT06-150	251	5.64	0.98	12.85	3.23	0.9	1.12	0.30	150
CT06-200	199	7.97	0.96	20.42	4.71	1.2	0.79	0.46	200
CT06-250	228	14.24	0.99	27.58	3.30	1.0	0.70	0.79	250