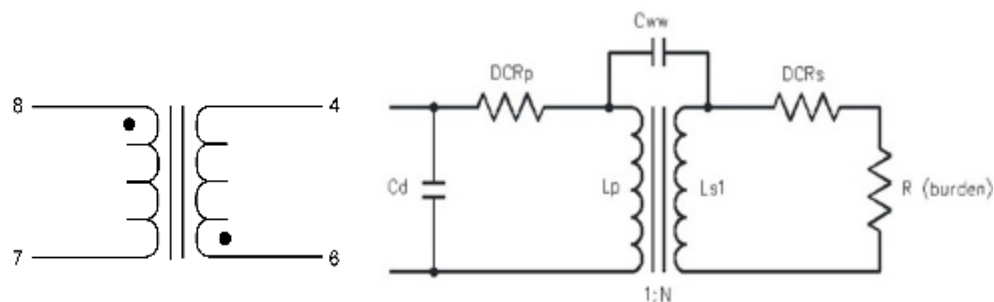


TEST CONDITIONS

Inductance: 10 kHz , 1 Vrms , series
Leakage Inductance: 10 kHz , 1 Vrms , series
Interwinding Capacitance: 100 kHz, 1 Vrms
DCR: Measured at 25°C
Cd: Measured by HP4194A equivalent A on secondary



EQUIPMENTS: 4194A, 4285A, 4284A, HOIKI 3541

Part Number	Lp (8-7)	Ls (6-4)	DCR (8-7)	DCR (6-4)	Cd	Cww1 (8,7)-(6,4)	SRF (6-4)	LLs (6-4) Shorted (8-7)	Turn Ratio
	<i>nH Typ</i>	<i>mH Typ</i>	<i>mΩ Typ</i>	<i>Ω Typ</i>	<i>pF Typ</i>	<i>pF Typ</i>	<i>MHz Typ</i>	<i>uH Typ</i>	<i>8-7:6-4</i>
CT04-050	200	0.50	0.35	0.68	8.77	3.8	2.51	11.50	50
CT04-070	242	1.18	0.38	1.41	11.98	3.0	1.47	19.50	70
CT04-100	267	2.67	0.36	2.52	11.55	4.2	1.00	33.70	100
CT04-125	245	3.83	0.38	4.18	8.69	3.3	0.97	64.50	125