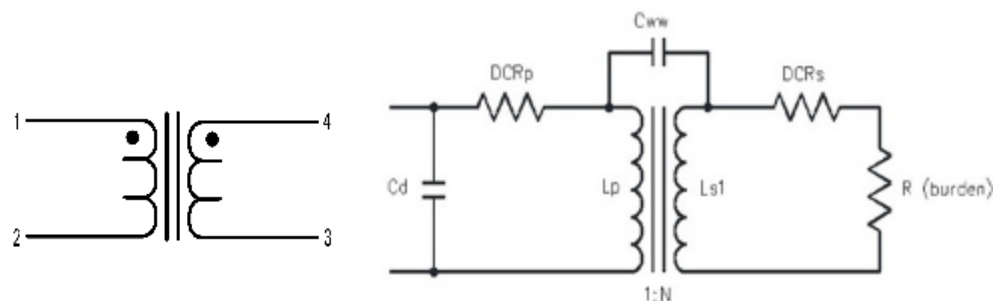


## TEST CONDITIONS

- Inductance:** 10 kHz , 0.1 Vrms , series
- Leakage Inductance:** 100 kHz , 0.1 Vrms , series
- Interwinding Capacitance:** 100 kHz, 1 Vrms
- DCR:** Measured at 25°C
- Cd:** Measured by HP4194A equivalent A on secondary



**EQUIPMENTS:** 4194A, 4285A, 4284A, HOIKI 3541

Part Number	Lp (1-2)	Ls (4-3)	DCR (1-2)	DCR (4-3)	Cd	Cww1 (4,3)-(1,2)	SRF (4-3)	LLs (4-3) Shorted (1-2)	Turn Ratio
	nH Typ	mH Typ	mΩ Typ	Ω Typ	pF Typ	pF Typ	MHz Typ	mH Typ	4-3:1-2
CT02-050	251	0.63	0.87	1.03	2.50	1.1	3.81	0.03	50
CT02-100	242	2.42	0.89	4.28	3.14	1.4	1.76	0.09	100
CT02-150	274	6.16	0.90	12.21	4.17	1.5	0.94	0.21	150
CT02-200	222	8.86	0.88	19.90	2.99	1.2	0.94	0.39	200
CT02-250	187	11.70	0.90	29.88	3.88	1.2	0.74	0.61	250
CT02-350	241	21.69	0.89	47.21	4.13	1.3	0.52	0.89	300