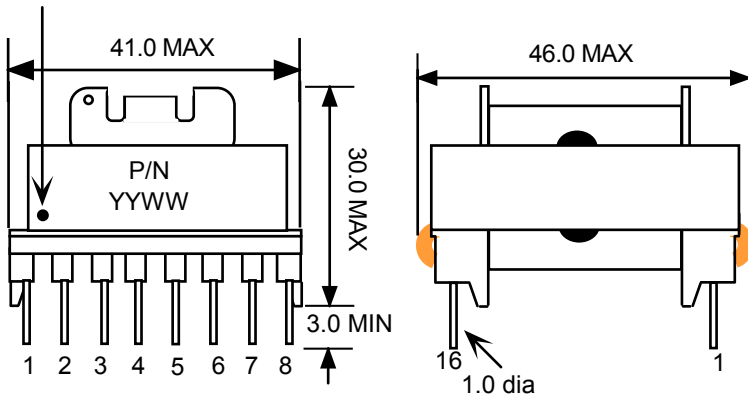


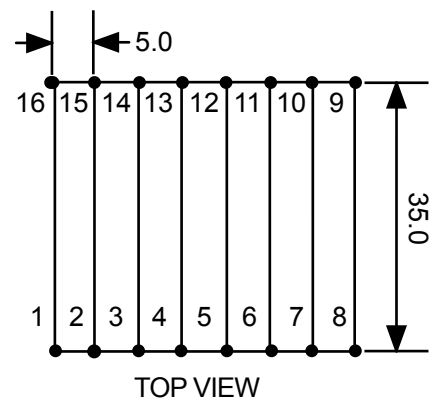
EER35(H)

Mechanical Drawing

Dot for pin 1



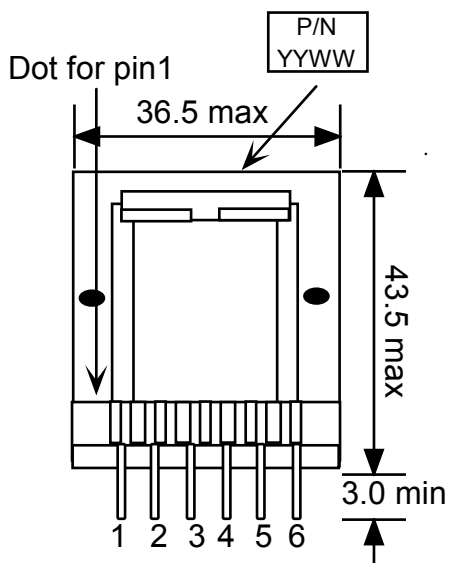
Footprint



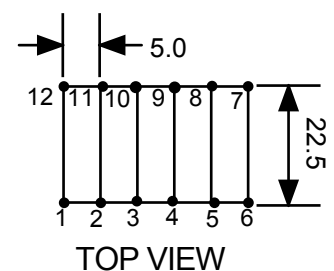
unit:mm

EER35(V)

Mechanical Drawing



Footprint



unit:mm