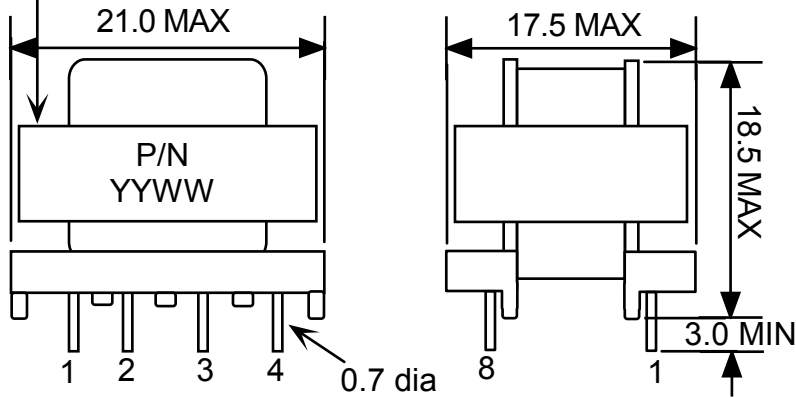


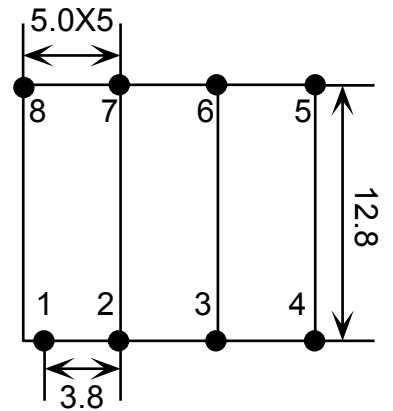
## EE19(H)

### Mechanical Drawing

Dot for pin 1



### Footprint

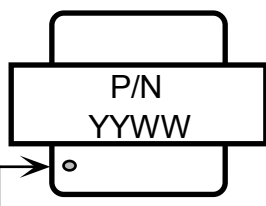
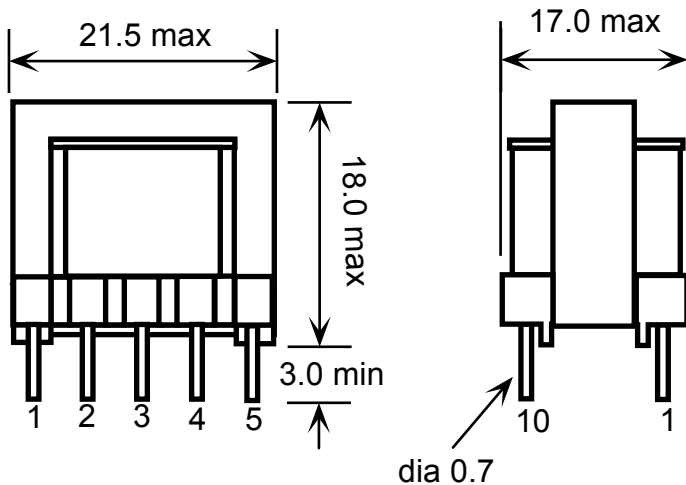


TOP VIEW

unit:mm

## EE19(V)

### Mechanical Drawing



Dot for pin 1

TOP VIEW

unit:mm